

4110 HART® Level Encoder

Maintenance & Spare Parts



Name _____

Company _____

Tel: _____

Fax: _____

E-mail: _____

Date: _____

Date Parts Required: _____

Delivery Address: _____

Billing Address: _____

End User Information: _____

(Name, Company, City, State, Zip)

Purchase Order Number: _____

Shipping Instructions: _____

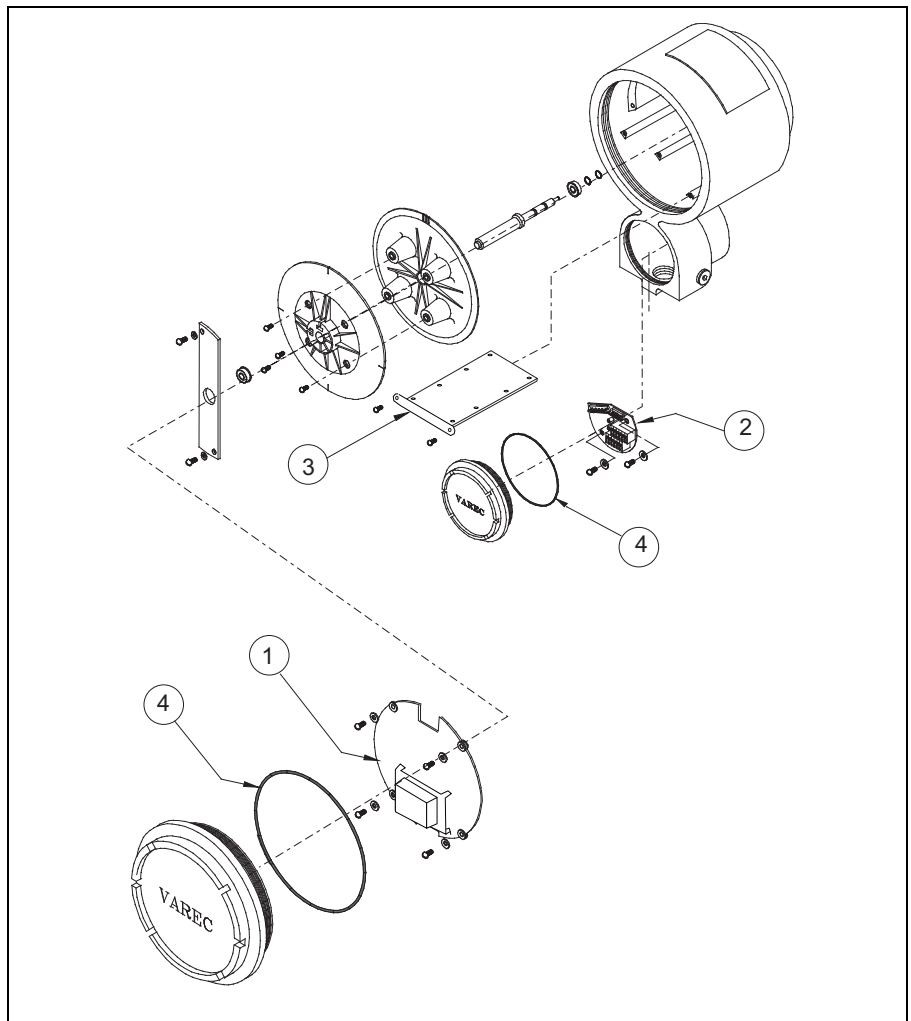
Special Instructions: _____

Ordering Instructions:

When ordering spare parts refer to the diagram for item numbers. Complete this form in full and then fax-back to (770) 810-9456, or contact your Varec local representative:

Item	Part No.	Description	Quantity
1	08-09208	Encoder CPU Board	
2	08-09216*	Terminal Board Assy	
3	08-09220*	Sensor Board Assy	
4	13-11569*	O-Ring Kit	
	13-05956-102	Adapter kit for mounting to L&J 92514, 92020 and 92030 gauges	
	13-05956-202	Adapter kit for mounting to L&J 92006 and Whessoe Varec 2006, 2026, and 2036 gauges	

Note! * Recommended spare parts to keep in stock per 10 instruments installed
Note! All items not listed here require factory servicing due to the critical alignments required when replacing spare parts - Please consult the factory.



www.varec.com