

7500 Series Radar Tank Gauges

Maintenance & Spare Parts



Name

Company

Tel:

Fax:

E-mail:

Date:

Date Parts Required:

Delivery Address:

Billing Address:

End User Information:

(Name, Company, City, State, Zip)

Purchase Order Number:

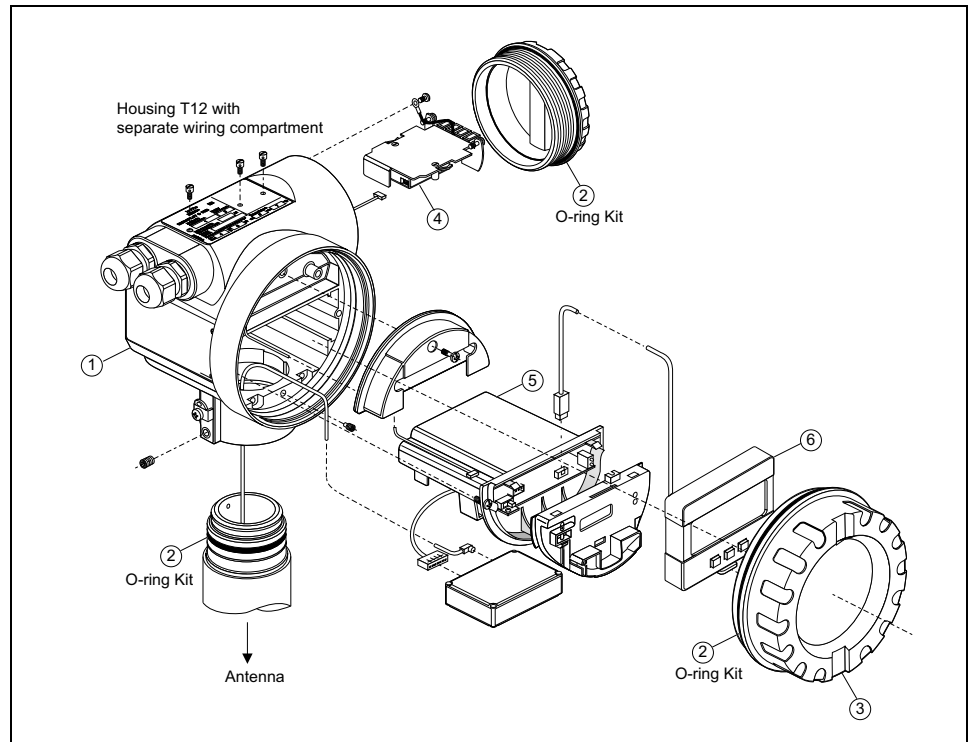
Shipping Instructions:

Special Instructions:

Ordering Instructions:

When ordering spare parts refer to the diagram for item numbers. Complete this form in full and then fax-back to (770) 810-9456, or contact your Varec local representative.

| Item | Part No | Description | Quantity |
|------|----------|-----------------------------------------------------------------------------------------------------------------------------------------------------------------------------------------|----------|
| 1 | 52005683 | Housing T12 Al, coated, NPT1/2, N753* Material: Aluminium, coated | |
| 1 | 52005684 | Housing T12 Al, coated, M20, N753* Material: Aluminium, coated | |
| 2 | 52005628 | O-Ring Sealing kit 753x RTG (15 peices) | |
| 3 | 52005936 | Cover F12/T12 Al, window, gasket for operating and display module VU331 and housing F12/T12 | |
| 4 | 52005586 | Terminal module 5-pole N7500 RTG for housing T12 | |
| 5 | 52022423 | Electronics N753x Ex HART+HF-mod., 6,3GHz ultra wideband system HF module When ordering the complete order code of the instrument and also the serial number must be quoted. (Varec) | |
| 6 | 52022976 | 4-line alphanumeric display VU331 (Varec) | |



Continued...

| Part No | Description | Quantity |
|-------------|---------------------------------------------------------------------|----------|
| | Service Tools | |
| 71006590 | HF-test cable 6 Ghz | |
| 52028063 | HF-test Cable 6 Ghz + resistor | |
| 52007646 | Tool for unpluggin the antenna cable | |
| 71007843 | Tof adapter FXA291 | |
| 71000221 | Adapter cable for Tof adaptor FXA291 | |
| 52004074 | Adaptor HF-test cable 6 Ghz | |
| | 7530 RTG Antenna | |
| 52021131 | Horn 723x/753x, DN80/3", 316/316L | |
| 52021132 | Horn 723x/753x, DN100/4", 316/316L | |
| 52021133 | Horn 723x/753x, DN150/6", 316/316L | |
| 52021134 | Horn 723x/753x, DN200/8", 316/316L | |
| 52021135 | Horn 723x/753x, DN250/10", 316/316L | |
| | 7532 RTG Antenna | |
| 52006193 | Planar antenna N7532-DN150+HNBR gasket and screws | |
| 52006332 | Planar antenna N7532-DN150+FKM gasket and screws | |
| 52006194 | Planar antenna N7532-DN200+HNBR gasket and screws | |
| 52006333 | Planar antenna N7532-DN200+FKM gasket and screws | |
| 52006195 | Planar antenna N7532-DN250+HNBR gasket and screws | |
| 52006334 | Planar antenna N7532-DN250+FKM gasket and screws | |
| 52005782 | Flange N7532-DIN-C 150 / PN 16-SS with o-ring and Allen screws | |
| 52005783 | Flange N7532-DIN -C 150/PN25(40)SS with o-ring and Allen screws | |
| 52005784 | Flange N7532-DIN -C 200 / PN 16-SS with o-ring and Allen screws | |
| 52005785 | Flange N7532-DIN -C 200 / PN 25-SS with o-ring and Allen screws | |
| 52005786 | Flange N7532-DIN -C 250 / PN 16-SS with o-ring and Allen screws | |
| 52005772 | Flange N7532, ANSI 6" 150LBS 316/316L with gaskets and Allen screws | |
| 52005775 | Flange N7532, ANSI 6" 300lbs 316L with gaskets and Allen screws | |
| 52005773 | Flange N7532 ANSI 8" 150lbs 316L with o-ring and Allen screws | |
| 52005776 | Flange N7532, ANSI 8" 300LBS 316/316L with gaskets and Allen screws | |
| 52005774 | Flange N7532 ANSI 10" 150lbs 316L with gaskets and Allen screws | |
| 52006304 | Flange UNI- DN150/ 6"/200A-304 with gaskets and Allen screws | |
| 52006303 | Flange UNI- DN200/ 8"/200A-304 with gaskets and Allen screws | |
| 52006305 | Flange UNI- DN250/10"/250A-304 with gaskets and Allen screws | |
| 71091996 | Planar antenna 7532 DN150 PTFE FKM gasket and screws | |
| 71091997 | Planar antenna 7532 DN200 PTFE FKM gasket and screws | |
| 71091998 | Planar antenna 7532 DN250 PTFE FKM gasket and screws | |
| | 7533 RTG Antenna | |
| 52006335 | Parabolic reflector 452x62 316L with screws M6x12 | |
| | Housing | |
| 543199-0001 | Weather Protection Cover for T12 Housing (Stainless Steel) | |

